

# Polycom® Vortex® EF2201

*DSP-based phone add for installed conferencing applications*



## Benefits

**Easily add calls to conferences** – Utilize telephone hybrid with noise cancellation to add telephone callers

**Simple, fully digital connection** – Between Vortex EF2200 series products with EF Bus, no analog input / output is required

**Productivity-enhancing features** – 256 speed-dial memory, selectable auto hang-up via loop drop and progress tone detection

**Use it anywhere in the world** – Country-specific telephone configuration settings

**Consistent audio quality** – Automatic gain control on the telephone audio receive path

**The ideal “phone add” for installed conferencing applications, the EF2201 makes telephone interfacing easy.** With a variety of control options, built-in DTMF dialer, and one-cable connection to other Vortex products, the EF2201 simplifies the addition of telephone calls to your audio or video conference.

When participants can't make it to a video conference, or can only drop in for a short time, it's easy to accommodate their needs. The Vortex EF2201 links directly to an analog (PSTN) telephone line, connecting outside callers to your meeting. In addition to providing crystal-clear telephone audio to all participants, the Vortex EF2201 significantly reduces background noise on the phone line, keeping unwanted sounds from interfering with your conference. As the next generation of digital hybrid telephone interfaces, the Vortex EF2201 interfaces with other Vortex products through a digital expansion bus.

Telephony signals are communicated with a Vortex EF2280 over the digital P-bus channel of the EF Bus, without the need for analog input or output on the EF2280. The EF2201 can be controlled via RS232, Vortex Expansion bus, and front panel controls. Additional features are audible ring indications, user-configurable entry and exit tones, up to 256 speed dial memories,

and controllable levels of DTMF and dial tone signals. The full cross-point matrix allows users to determine how the input and output signals are sent to and from the telephony interface. Settings are configured with Conference Composer software (provided), and can be stored as user presets.

## **The direct-link audio choice for The Polycom Office™**

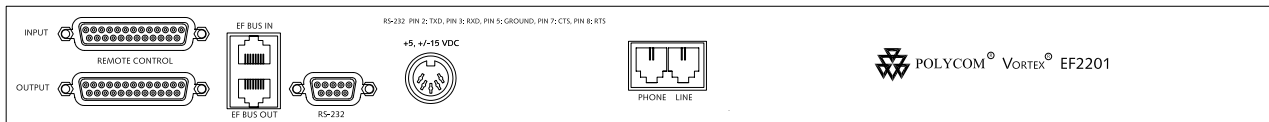
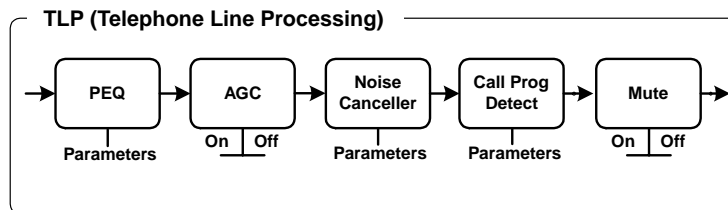
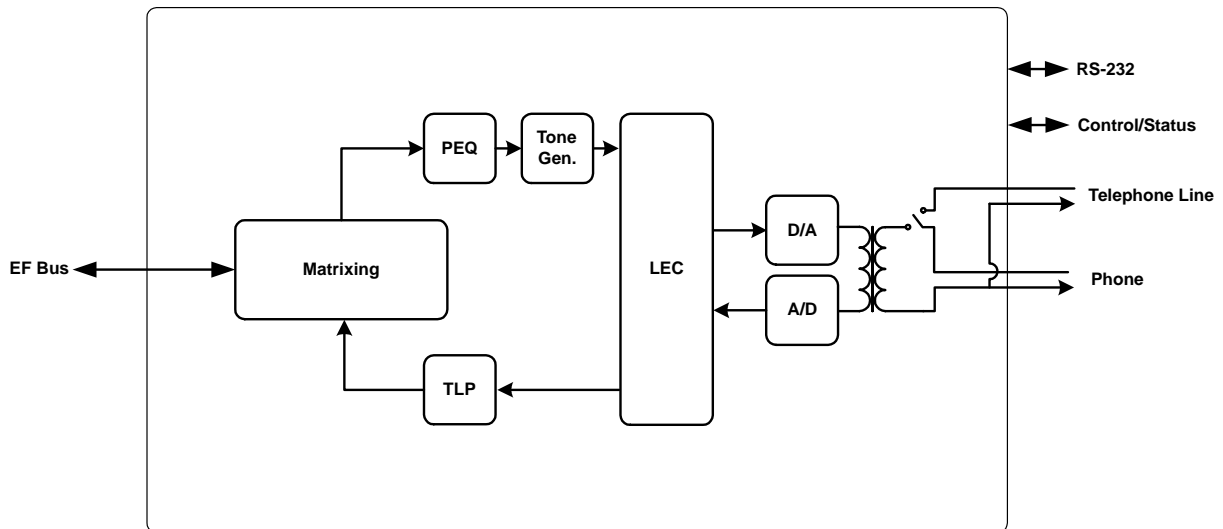
With integrated video, voice, data, and Web capabilities, The Polycom Office is the only solution that offers you an easy way to connect, conference, and collaborate any way you want. The Polycom Office is our commitment to making distance communications as natural and interactive as being there. Work faster, smarter, and better with the Polycom Vortex EF2201 and The Polycom Office.



# Voice

*Connect. Any Way You Want.*

## System Block Diagram and Rear Panel



## Polycom Vortex EF2201 Technical Specifications

### Dimensions

- 19" (483 mm) W x 9.6" (244 mm) L x 1.75" (45 mm) H (one rack unit)

### Weight

- 4 lbs. (1.8 kg) dry, 5.5 lbs. (2.5 kg) shipping

### Connectors

- RS-232: DB9F
- EF Bus In/Out: RJ45
- Control /Status: DB25F
- Telephone Line/Set: RJ11 (2)

### Power

- External supply (provided)
- Input voltage of 110-240 VAC; 47-63 Hz; power consumption 15 W (typical)

### Microphone Input

- 30 dBu to +0 dBu/ -66 dBu to -33 dBu, nominal; software selectable

### Control Inputs

- Contact closure

### Status Outputs

- 5 V, 20mA each

### Headroom

- 20 dB, nominal

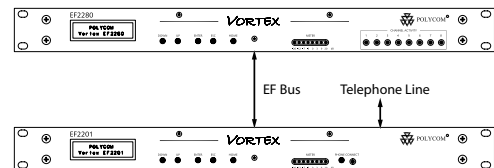
### Frequency Response

- 250 Hz - 3.6 kHz on telephony interface

### Line Echo Canceller (telephone hybrid)

- Echo cancellation 40 dB, total 60 dB
- Convergence 30 dB/second
- Cancellation span 32 msec

### Typical EF2201 Installation



©2003 Polycom, Inc. All rights reserved.

*Polycom, the Polycom logo, and Vortex are registered trademarks and The Polycom Office is a trademark of Polycom, Inc. in the U.S. and various countries. All other trademarks are the property of their respective companies. Specifications subject to change without notice. For Architect's and Engineer's Specifications, please visit Polycom.com, or contact the Installed Voice Business Group at 1.770.641.4400.*