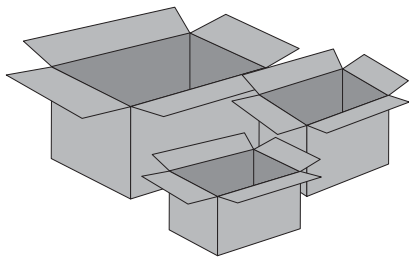




Setting Up the PowerCam™ on a Polycom® System

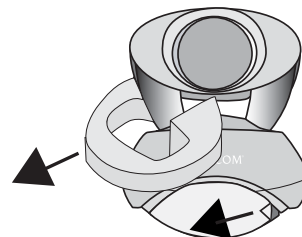
1



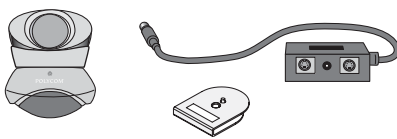
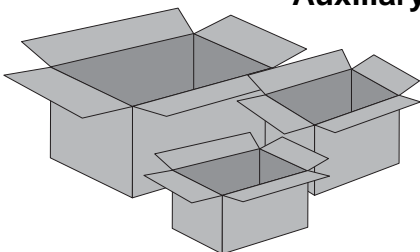
Main Camera
iPower 9000
VS4000 (2200-21350-xxx only)



2



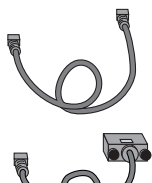
Auxiliary Camera



5x



iPower 9000

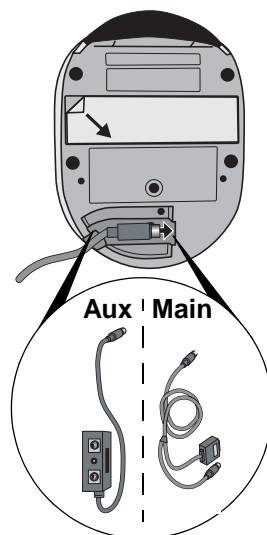


VS4000



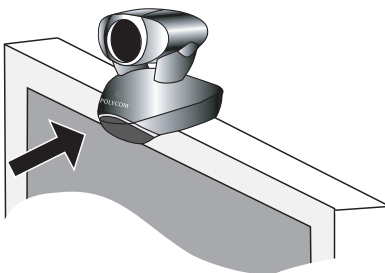
ViewStation FX

3

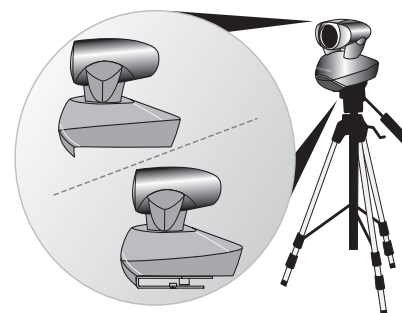
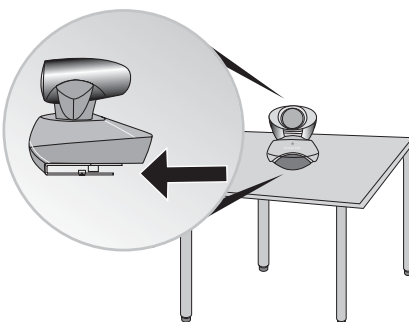
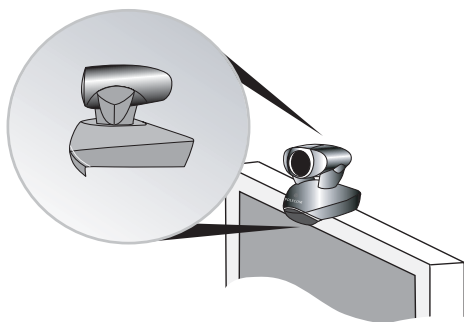


4

Main Camera



Auxiliary Camera



www.polycom.com/videodocumentation

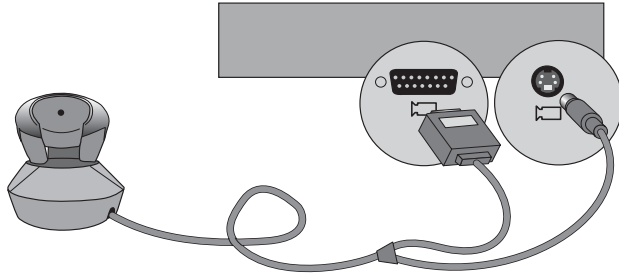
Setting Up the PowerCam on a Polycom System

5

Main Camera



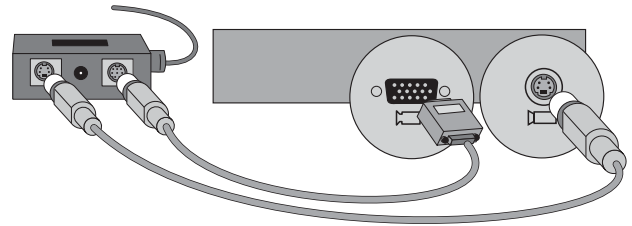
**VS4000
IR Receiver**



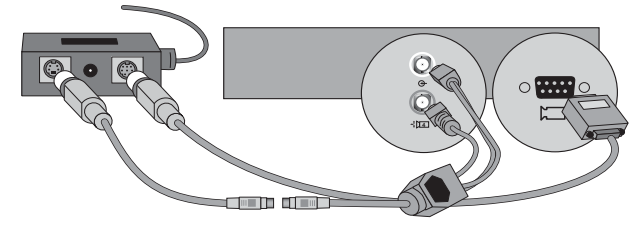
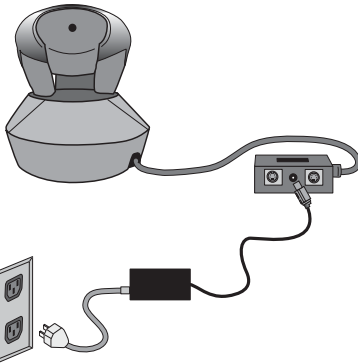
**iPower 9000
VS4000 (2200-21350-xxx only)**

Auxiliary Camera

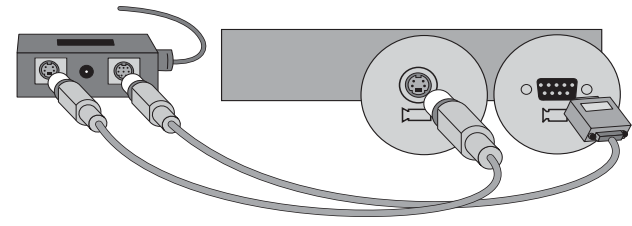
iPower 9000



**VS4000
(2200-21350-xxx only)**



VS4000



ViewStation FX

