

MicroTouch™

3M

ChassisTouch™ FPD Touch Monitor

MONITORS



Product Highlights

- Slim design is conducive to sleek kiosk design trends
- Robust metal enclosure provides mounting stability and protection for the FPD display
- The touch screen of choice for Public Access applications requiring high levels of durability and reliability 24 hours a day, 7 days a week
- Bezeled or non-bezel option offers flexibility of integration
- VESA-mounting hole pattern on the back allows for arm mount capability

Slim, Compact Display offers Durable Touch Solution

ChassisTouch FPD touch monitors from 3M Touch Systems are designed for easy integration into kiosks, industrial enclosures and other installations where compact, touch-integrated displays are preferred. ChassisTouch FPD monitors offer a more compact enclosure, better optics, lower power usage, longer life and less heat generation than traditional CRT chassis monitors. These slim profile monitors are used in many different applications, from light industrial to point-of-sale devices to voting machines.

When design space is limited, the slim metal case of the ChassisTouch FPD touch monitor is ideal. Back-mounted display controls are accessible even with the monitor sitting flush with the face of the enclosure, improving the aesthetics of your integration.

Making the Difference

The ChassisTouch FPD touch monitors are available with MicroTouch™ ClearTek capacitive touch screen technology. Capacitive technology has a proven track record of durability and reliability in heavy usage applications. A ClearTek sensor with Industrial (C) Etch has been tested in a laboratory environment to withstand over 225 million mechanical touches without noticeable degradation to the surface.*

For applications that require input flexibility, including gloved-hand use, 3M Touch Systems offers 5-wire resistive touch screen technology on ChassisTouch FPD monitors. 5-wire resistive technology has been tested in a laboratory environment to withstand 35 million mechanical touches without noticeable degradation to the surface.*

* Mechanical touches for *capacitive* were tested on a single x,y location and for *resistive* were tested on a single 1cm location, each using a finger-like stylus of 45 durometer, "A" shore hardness, 0.5 diameter with a load of 0.46 pounds, +/- .01 pounds of force.

Specifications

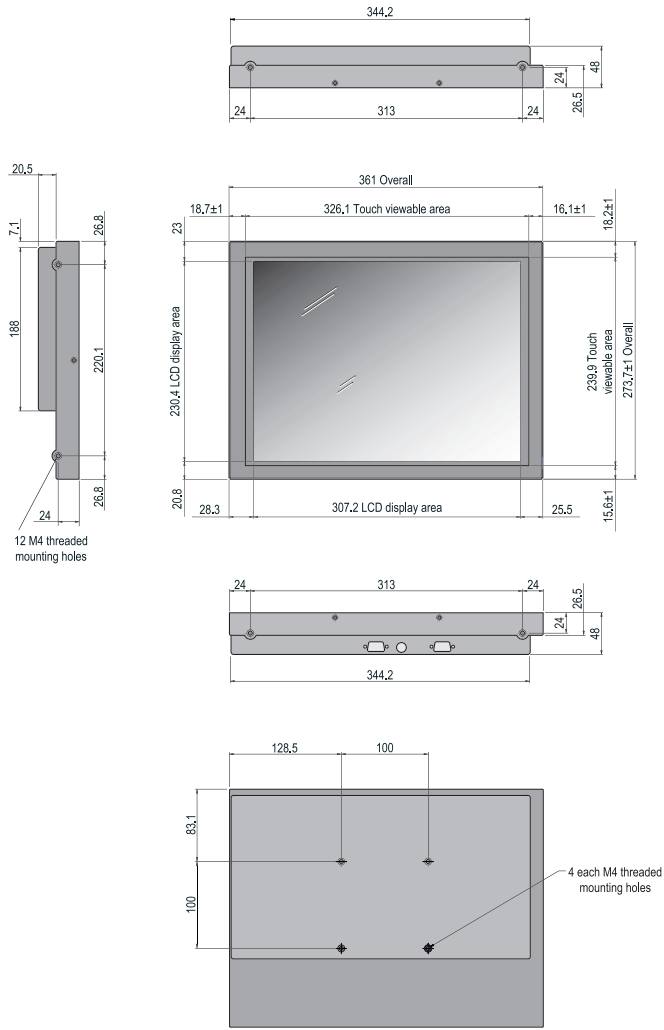
ChassisTouch™ FPD Touch Monitors

	15.1"	17"
FUNCTIONAL FEATURES		
LCD Technology	TFT, Active Matrix	TFT, Active Matrix
Display Colors	262,144	16.7 Million
Pixel Pitch	30 mm	.264mm
Brightness w/o Touch Screen	200 cd/m ²	200 cd/m ²
Brightness w/ Touch Screen (max.)¹	172 cd/m ²	172 cd/m ²
Contrast Ratio	250:1 Typical	350:1 Typical
Response Time	50 milliseconds	35 milliseconds
Viewing Angle	Horizontal: +/- 60 degrees Vertical: +/- 45 degrees	Horizontal: +/- 80 degrees Vertical: +/- 80 degrees
Control Type	OSD	OSD
On Screen Display Controls	Brightness, Contrast, H/V Position, Phase, Auto-adjust, Sharpness, OSD control, Default, Exit	Brightness, Contrast, H/V Position, Phase, Clock, Color, Auto-configuration Video Level, Video Mode, Language
Maximum Resolution	1024 x 768	1280 x 1024
Number of Allowable Unlit Pixels	10	10
Operating Environment	0 to +40 degrees C, 90% Relative Humidity, Non-condensing	0 to +40 degrees C, 90% Relative Humidity, non-condensing
Storage Environment	-20 to +60 degrees C	-20 to +60 degrees C
PHYSICAL FEATURES		
Physical Dimensions (WxHxD) (with Bezel)	364.9 x 277.7 x 52 mm 14.36 x 10.93 x 2.05 inches	405.7 x 335.1 x 57.6 mm 15.98 x 13.18 x 2.28 inches
Physical Dimensions (WxH) (without Bezel)	360.9 x 273.7 x 48 mm 14.2 x 10.77 x 1.89 inches	405.7 x 335.1 x 52 mm 15.98 x 13.18 x 2.05 inches
Display Area (WxH)	307.2 x 230.4 mm 12.1 x 9.1 inches	337.9 x 270.3 mm 13.3 x 10.6 inches
Video Cable Connector	15 Pin D-Sub	15 Pin D-Sub
Power Supply	12V DC Power Supply	12V DC Power Supply
Power Savings	DPMS, VESA Compliant	DPMS, VESA Compliant
Power Consumption	17 Watts Normal	28 Watts Normal
Backlight Life	25,000 hrs minimum	20,000 hrs minimum
Weight	3.4kg/7.5 lbs.	5.75kg/12.7 lbs
Agency Approvals	FCC B, CE, UL/cUL, CSA	FCC A, CE, UL/cUL, CSA
Mounting Options	2 sets of brackets, VESA 100 mm	2 sets of brackets, VESA 100 mm
Warranty	1 year FPD 5 years touch sensor and components	1 year FPD 5 years touch sensor and components

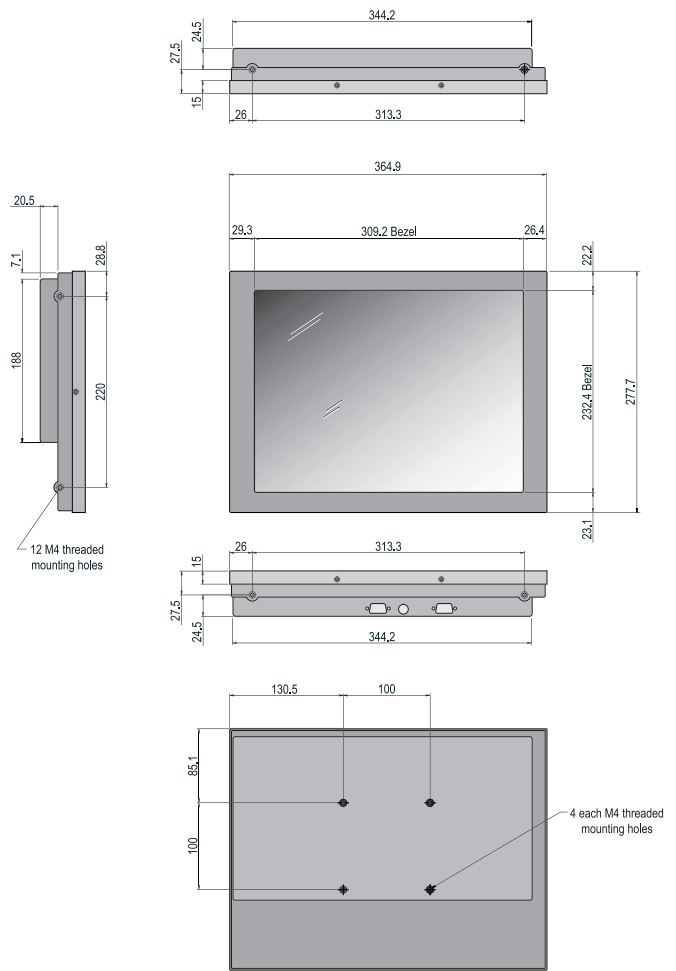
(1) Brightness measured on a display with MicroTouch capacitive C-etch sensor.

15.1" ChassisTouch FPD

WITHOUT BEZEL

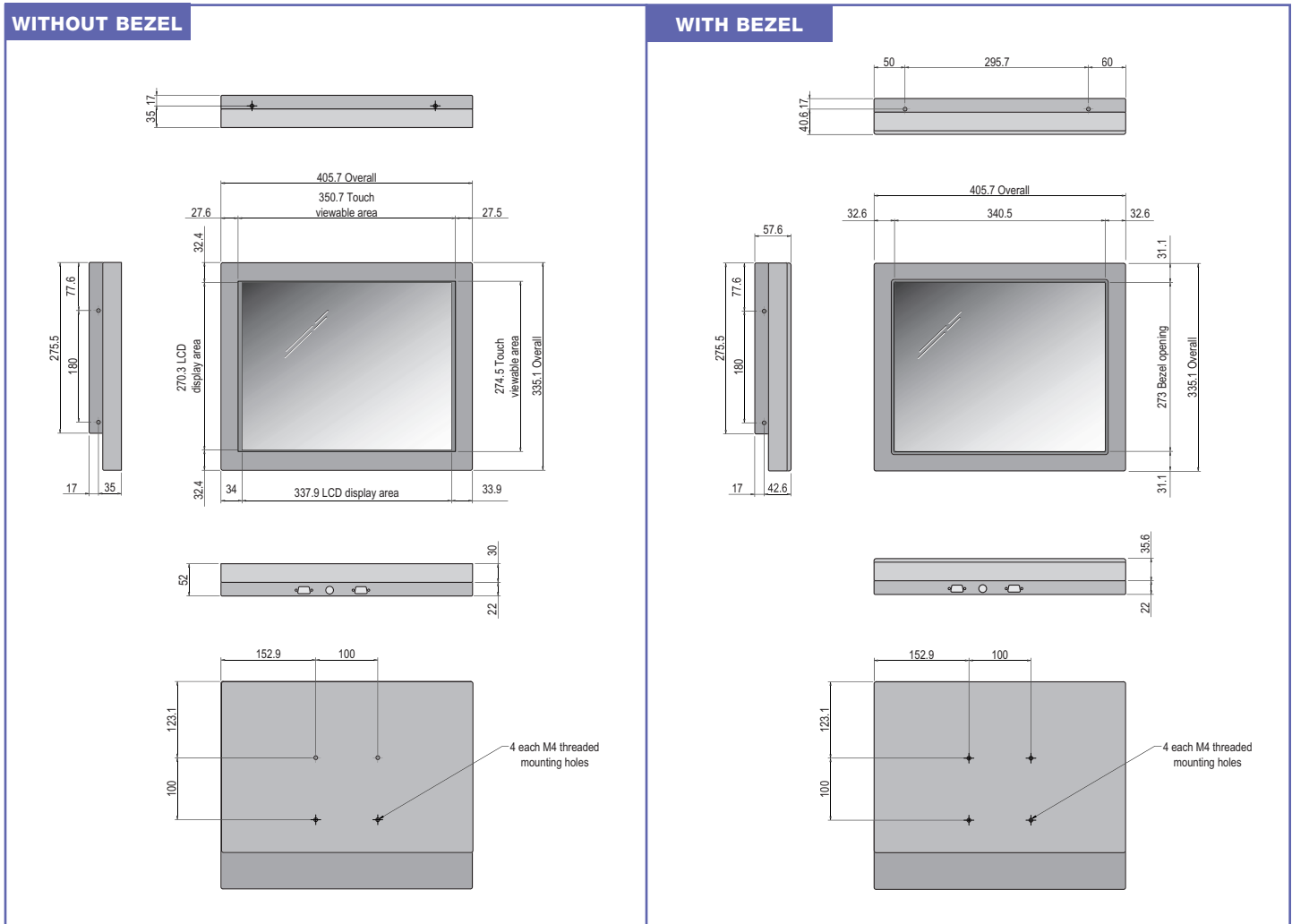


WITH BEZEL



All dimensions in millimetres
Tolerance = ± 1mm

17" ChassisTouch FPD



All dimensions in millimetres
Tolerance = ± 1mm

Notice: Given the variety of factors that can affect the use and performance of a 3M Touch Systems product, including that solid state equipment has operation characteristics different from electro-mechanical equipment, some of which factors are uniquely within User's knowledge and control, it is essential that User evaluate the 3M Touch Systems product to determine whether it is suitable for User's particular purpose and suitable for User's method of application. 3M Touch Systems' statements, engineering/technical information, and recommendations are provided for User's convenience, but their accuracy or completeness is not warranted. 3M Touch Systems products are not specifically designed for use in medical devices as defined by United States federal law. 3M Touch Systems products should not be used in such applications without 3M Touch Systems' express written consent. User should contact its sales representative if User's opportunity involves a medical device application.

IMPORTANT NOTICE TO PURCHASER: Specifications are subject to change without notice. 3M Touch Systems' Products are warranted to meet their published specifications from the date of shipment and for the period stated in the specification. **3M Touch Systems makes no additional warranties, express or implied, including but not limited to any implied warranties of merchantability or fitness for a particular purpose.** User is responsible for determining whether the 3M Touch Systems products are fit for User's particular purpose and suitable for its method of production, including intellectual property liability for User's application. If a Product is proven not to have met 3M Touch Systems' warranty, then 3M Touch Systems' sole obligation and User's and Purchaser's **exclusive remedy**, will be, at 3M Touch Systems' option, to repair or replace that Product quantity or to refund its purchase price. 3M Touch Systems has no obligation under 3M Touch Systems' warranty for any Product that has been modified or damaged through misuse, accident, neglect, or subsequent manufacturing operations or assemblies by anyone other than 3M Touch Systems. **3M Touch Systems shall not be liable in any action against it in any way related to the Products for any loss or damages, whether non-specified direct, indirect, special, incidental or consequential (including downtime, loss of profits or goodwill) regardless of the legal theory asserted.** (11/01R2)



3M Touch Systems
3M Optical Systems Division
300 Griffin Brook Park Drive
Methuen, MA 01844
U.S.A.

www.3Mtouch.com
1-866-407-6666

Worldwide Manufacturing Plants:

Austin, Texas
Methuen, Massachusetts
Milwaukee, Wisconsin
Vancouver, BC Canada
Abingdon, UK

For more information on 3M touch products,
visit 3Mtouch.com or call toll-free 1-866-407-6666